

Pegasus Pro

COMFORT, SAFETY AND RELIABILITY WITH ADDED PERFORMANCE



With enhanced battery performance, superior suspension and large 12" wheels, the Pegasus PRO is ideal for users who need that extra performance. comfort, safety and reliability features to make it the ideal choice for users who demand more.



Yes, you can.®

Making Life's Experiences Possible

Pegasus Pro



The advanced suspension system on the Pegasus PRO has been designed to bring better performance and give a smoother ride over a variety of surfaces and terrains. In addition, the Pegasus PRO features a powerful motor and 12" pneumatic tyres to ensure that whether you are in the city or the country, you get where you need to go in comfort and style.

An on-board electronic speed reduction system automatically reduces speed around bends, ensuring users are confidently making safe, comfortable manoeuvres. Furthermore, a two-step disengaging lever prevents the scooter from free-wheeling if it is knocked out of drive mode.

The electronics and motor have additional protection to guard against water and corrosion, safeguarding the vital workings of the scooter against any unnecessary malfunctions.

Features



Users can easily adjust the tiller with a lever to suit their needs.



Ergonomically designed steering system makes for easier, more responsive control.



Ensures immediate braking if required.



















Clear, bright brake lighting warns people that the scooter is slowing down.

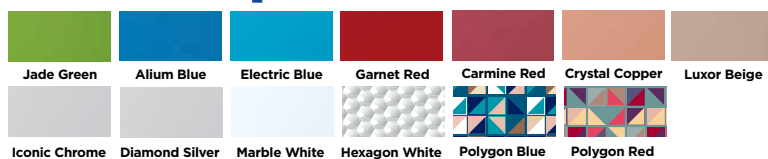


Dashboard configuration.

Tech Specs

 Backrest width 510 mm	 Seat depth 470 mm	 Floor to seat height Min. 440 mm Max. 510 mm	 Backrest height 490mm	 Driving unit width 650 mm	 Total length 1320 mm	 Empty weight 136 kg	 Max user weight 160 kg
 Battery capacity 2 x 12 V/75 Ah	 Turning diameter 2750 mm	 Max climable obstacle height 100 mm	 Ground clearance 100 mm	 Max safe slope 10°	 Max driving distance 52 km	 Max driving speed 10 km/h	 Motor capacity 550 W / 1300 W

Colour Options



* Warranty Terms and Conditions apply. Contact Invacare for full details.

FOR FURTHER INFORMATION:

New Zealand: Freephone 0800 468 222, email sales@invacare.co.nz or visit www.invacare.co.nz

Australia: Freephone 1800 460 460, email orders@invacare.com.au or visit www.invacare.com.au

Asia: Phone +61 2 8839 5330, email anzexportsales@invacare.com or visit www.invacare.com

Thailand: Phone +66 0 2821 5515 or visit www.invacare.com



Yes, you can.®